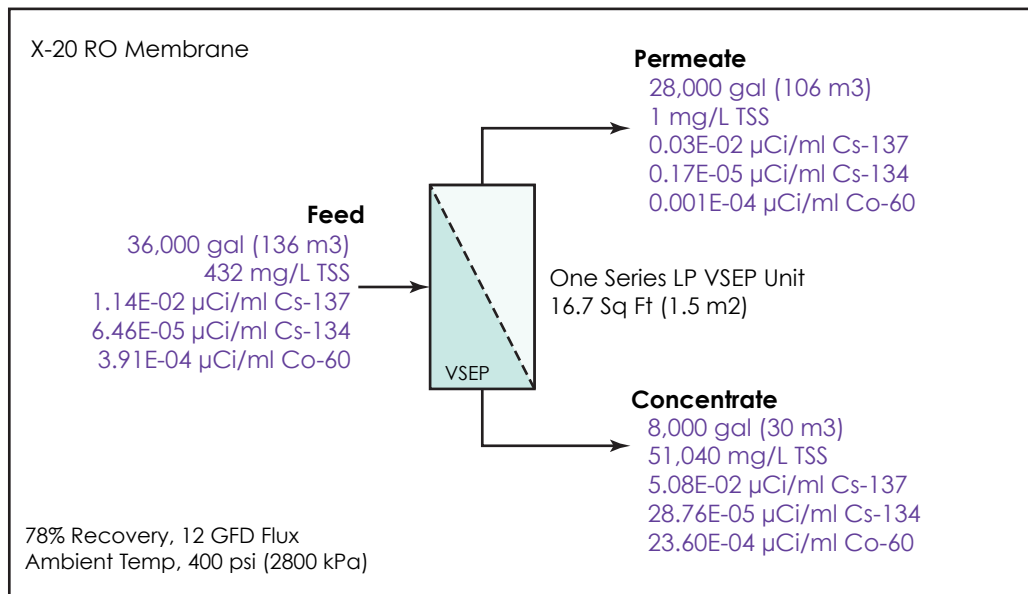


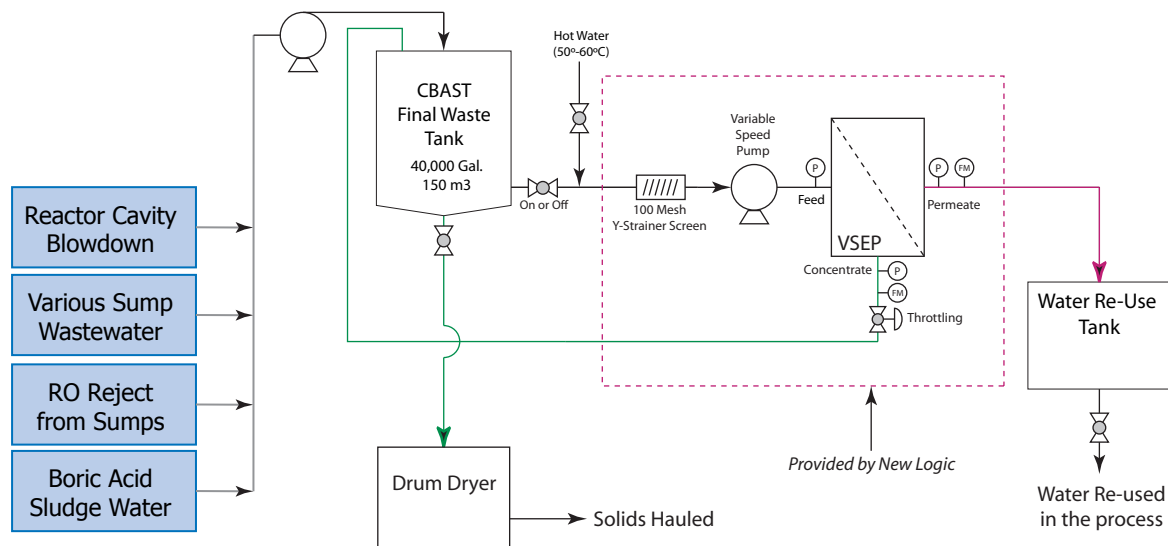
Rancho Seco Decommissioning Wastewater



Process Objectives:
 Volume reduce the wastewater prior to evaporation
 Produce filtrate suitable for reuse or discharge

VSEP Advantages:
 Simplicity and easy to use
 Small Footprint
 Unattended operation
 No secondary waste is generated

Operating Conditions:
 System was periodically cleaned with hot water
 Cobalt-60 was mostly insoluble
 Cesium-134 & 137 were mostly insoluble
 System was run continuously unattended for several months
 The concentration was only stopped due to a coupling failure
 Much higher concentration levels could have been achieved



Contaminant	% Rejection
Total Suspended Solids	99.9%
Boron	74.0%
Silica	98.0%
Cesium-137	97.4%
Cesium-134	97.4%
Cobalt-60	99.9%

NEW LOGIC Research
 1295 67th Street, Emeryville, CA 94608 (510) 655-7305

4/17/11

Rancho Seco Power Plant Wastewater Block Diagram