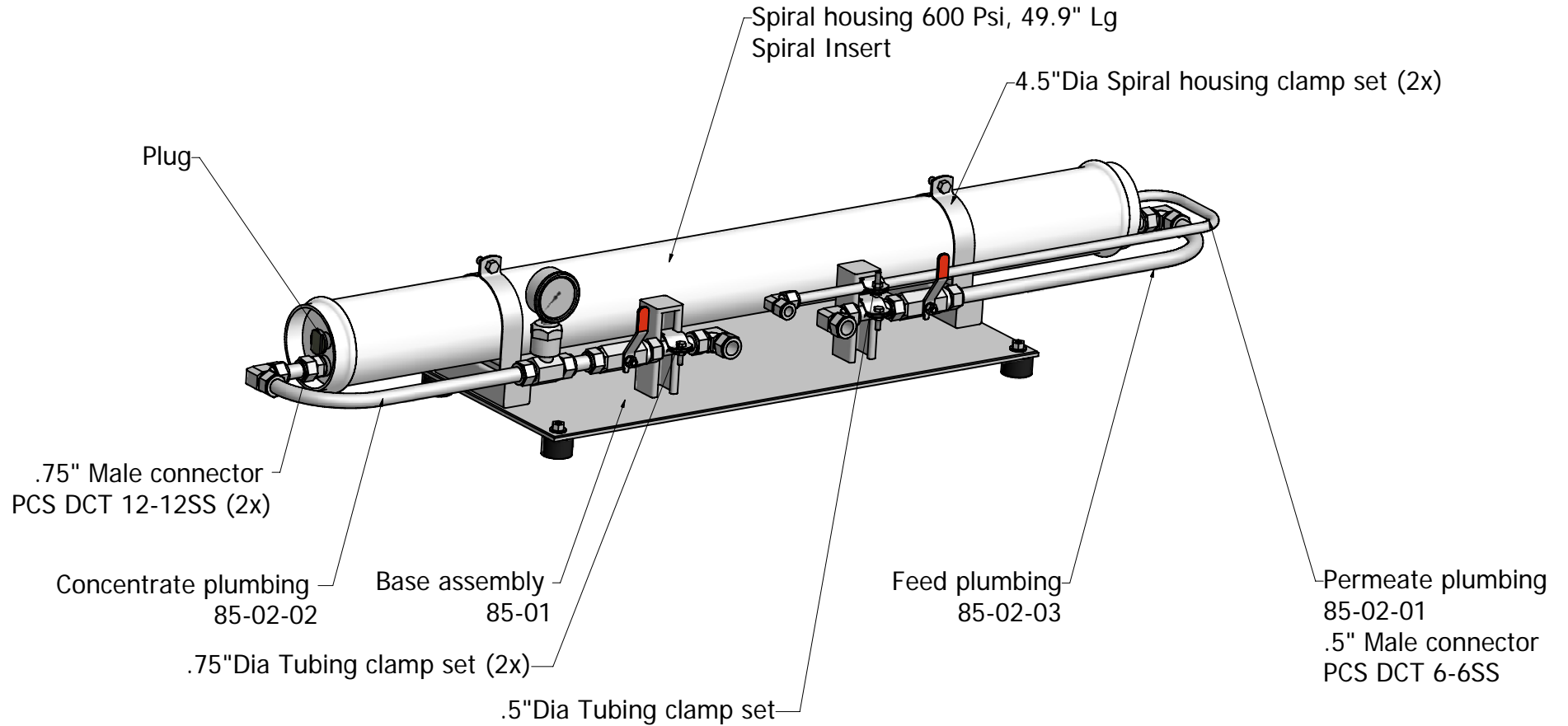


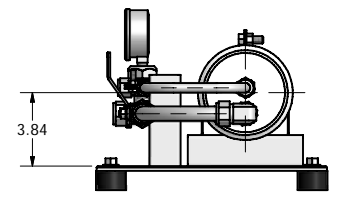
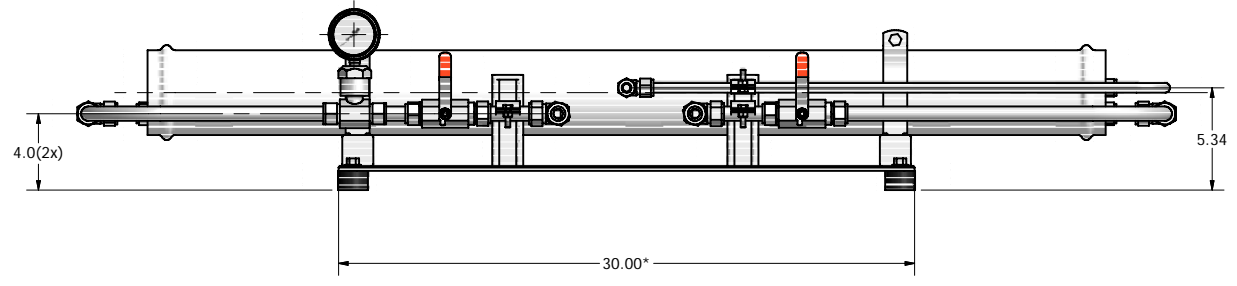
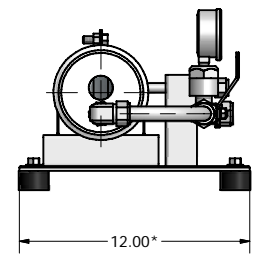
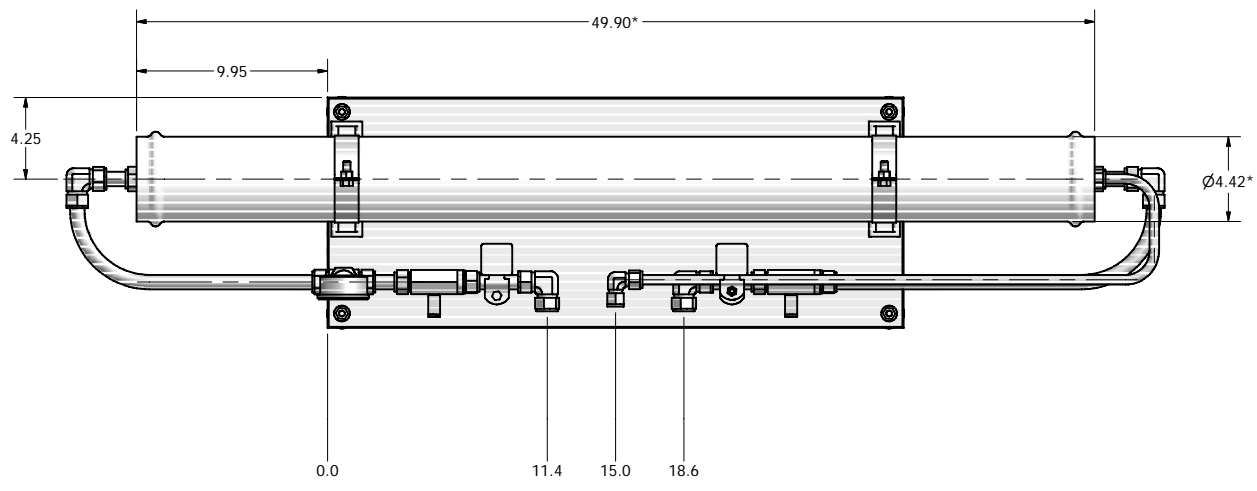
ISO VIEW



NORES:

1. New Logic Research confidential material.
2. All dimensions are shown in inches & for references only.
3. Preliminary.

DRAWN	F. Rubin	10/16/2009	NEW LOGIC RESEARCH		
CHECKED	M. Ayers				
QA			TITLE		
MFG			SPIRAL 85 SERIES SYSTEM		
APPROVED	G. Johnson		SIZE	DWG NO	REV
			C	85-00	
			SCALE	SHEET 1 OF 2	



NORES:

1. New Logic Research confidential material.
2. All dimensions are shown in inches & for references only.
3. Preliminary.

DRAWN	F. Rubin	10/16/2009	<i>NEW LOGIC RESEARCH</i>	
CHECKED	M. Ayers			
QA			TITLE	
MFG			SPIRAL 85 SERIES SYSTEM	
APPROVED	G. Johnson		SIZE	DWG NO
			C	85-00
			SCALE	REV
				SHEET 2 OF 2