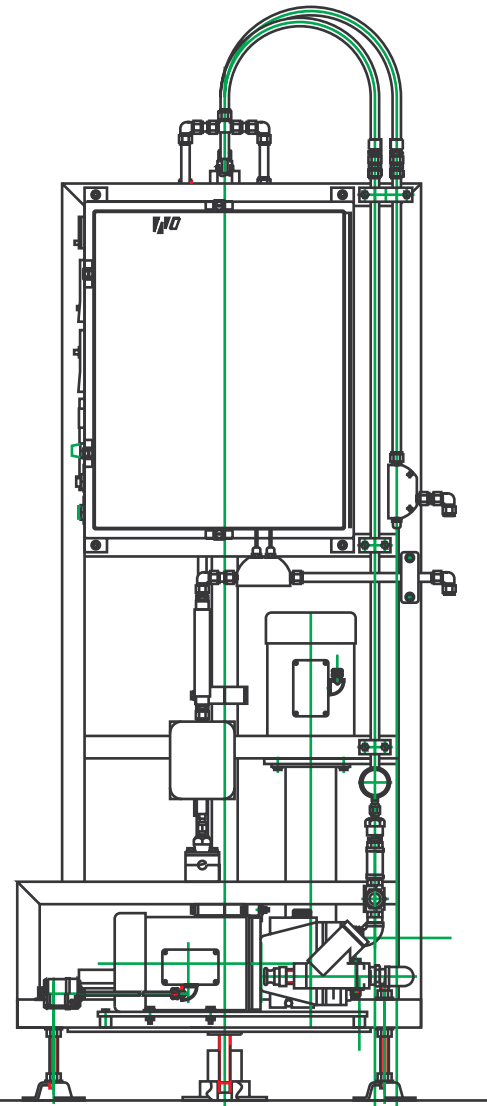
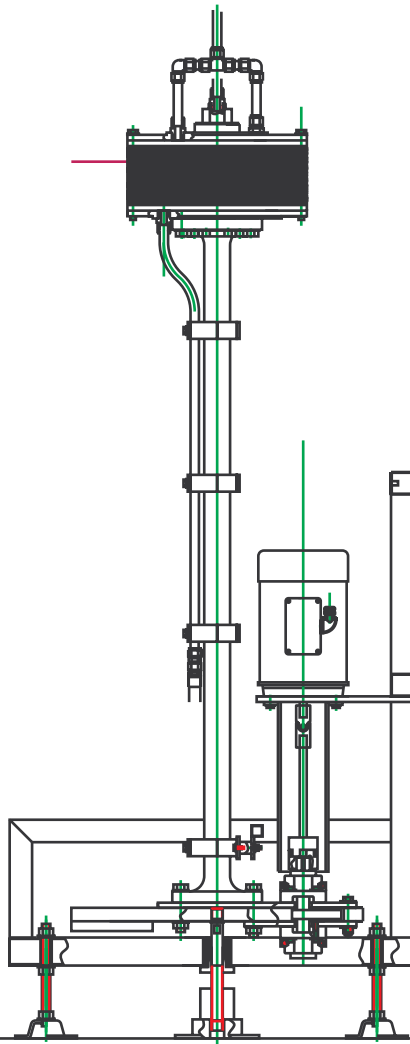


*NEW LOGIC RESEARCH*



*V♦SEP P-50*